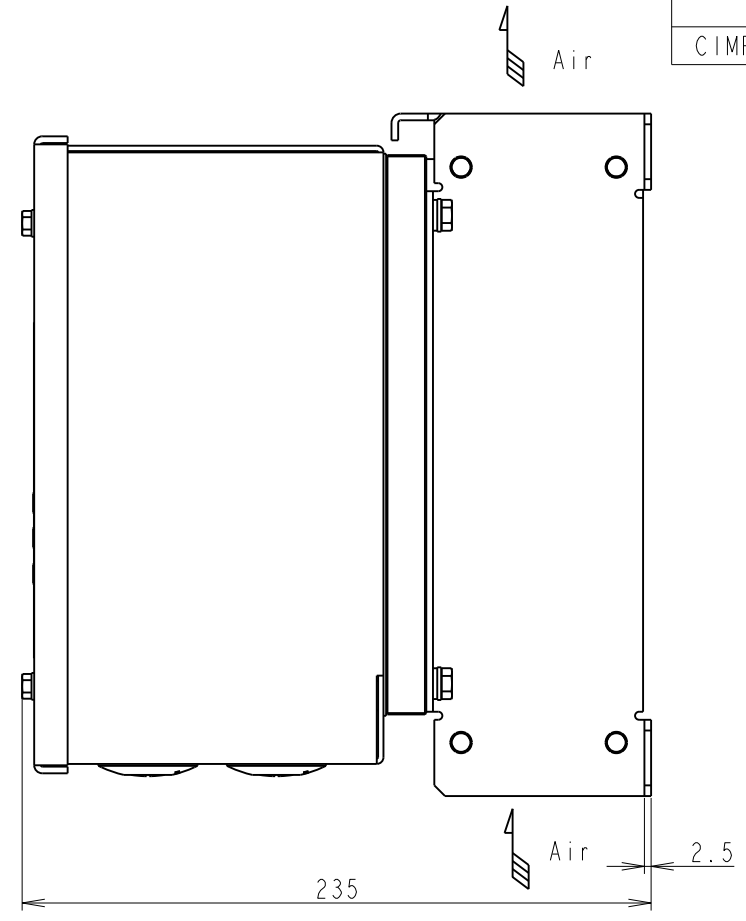
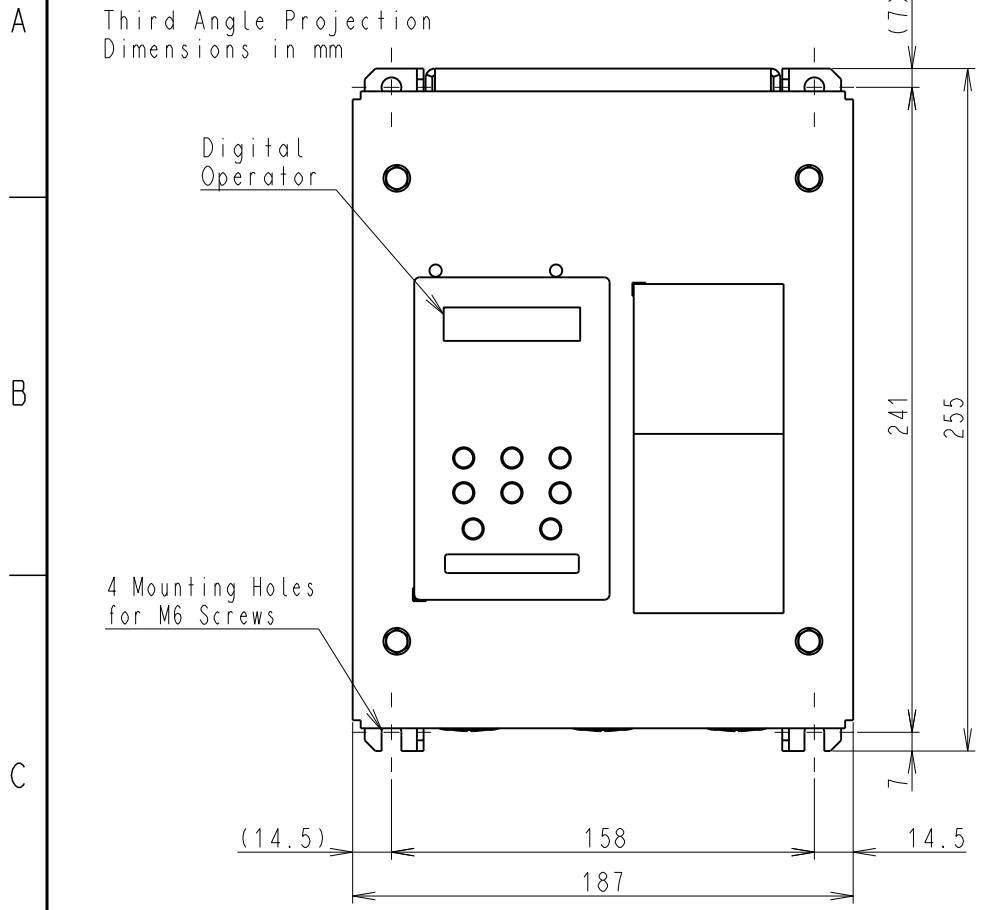
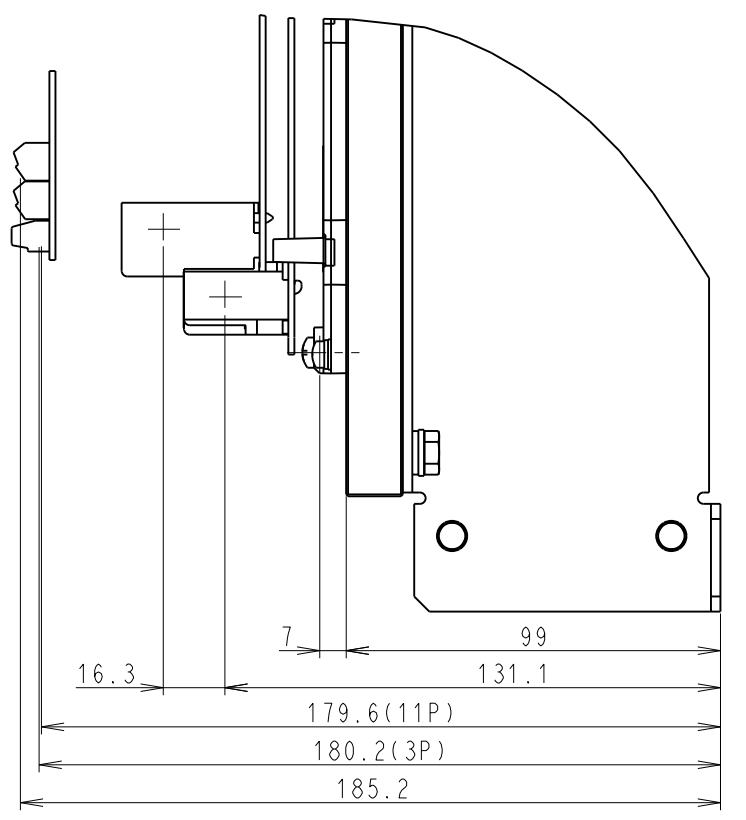


DWG. NO. EZZ901712-1/1

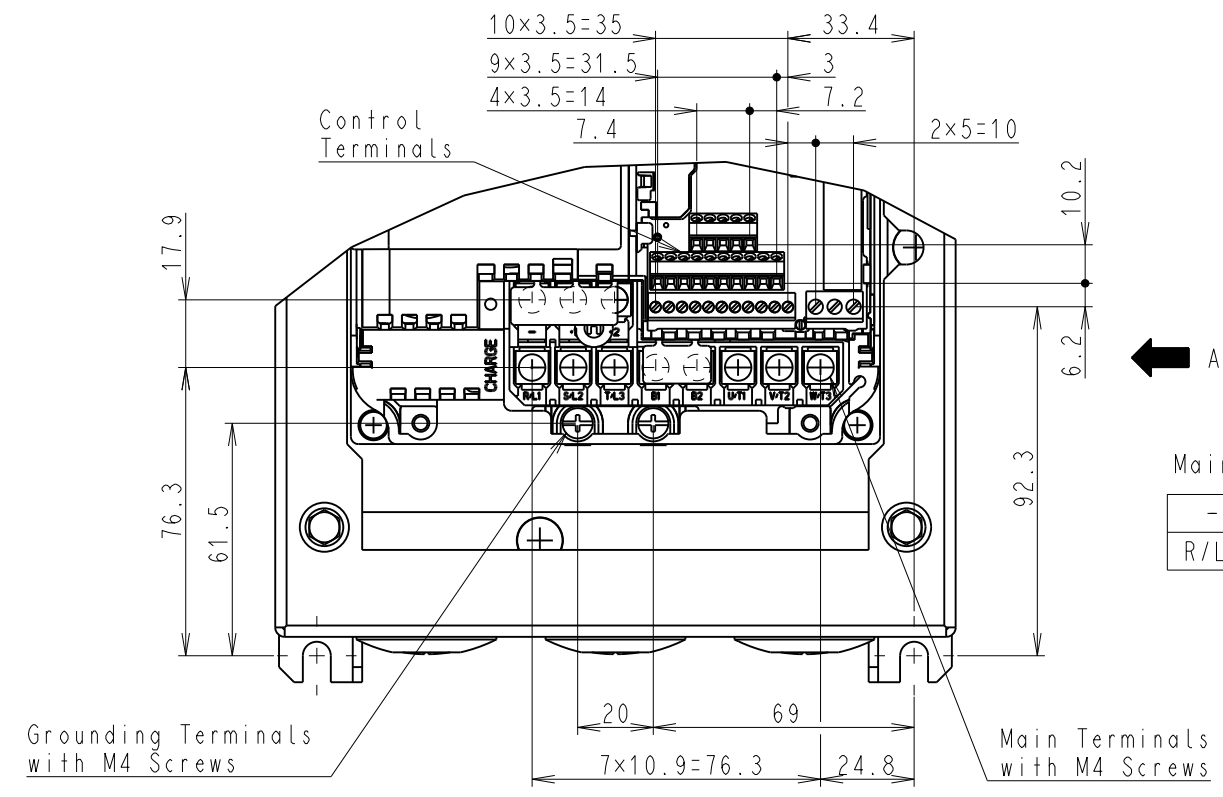
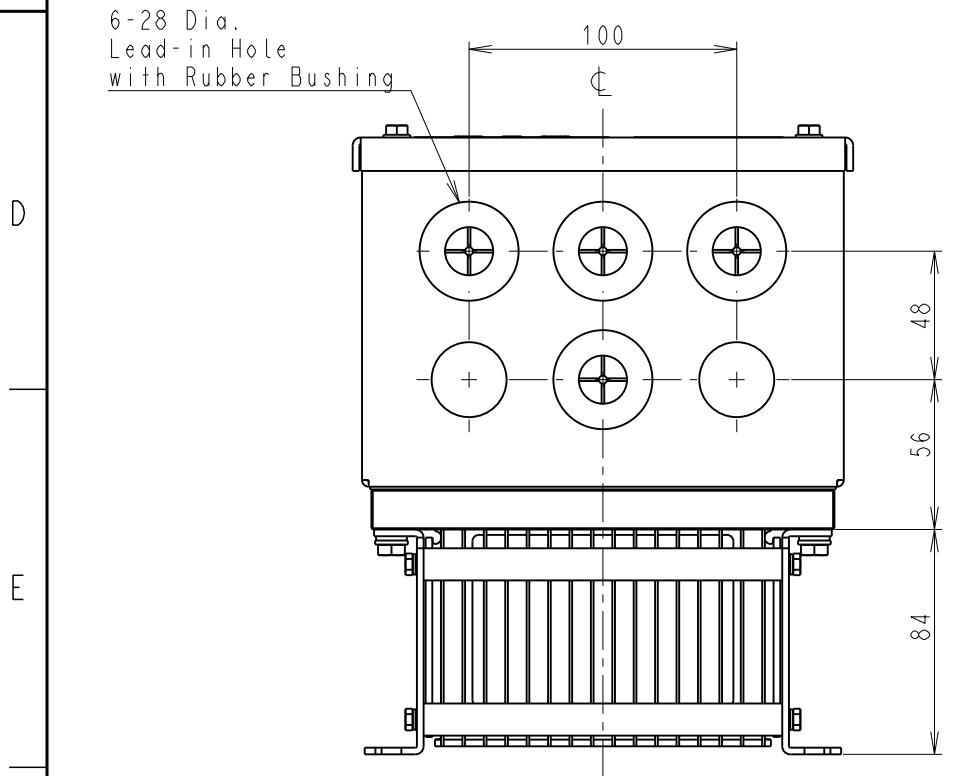
Model No.	Max Appli. Motor (kW)		Terminal Symbol			Cooling Fan	Mass (kg)
	Normal Duty	Heavy Duty	INPUT	OUTPUT(MOTOR)			
CIMR-V#BA0012G	3.0	2.2	R/L1 S/L2	U/T1	V/T2 W/T3	-	8.2



#:A,U



View A



Main Terminal Location

-	+1	+2					
R/L1	S/L2	T/L3	B1	B2	U/T1	V/T2	W/T3

Detail (without Front cover) SCALE 1:2

REVISIONS	 SCALE 1:2√2	 YASKAWA	DRAW. Jul.17,2008 K.Isomoto	TITLE V1000 NEMA4X/IP66 TYPE	DWG. NO. EZZ901712 <table border="1" style="float: right;"> <tr><td>1</td><td>REV.</td></tr> <tr><td>1</td><td>◇</td></tr> </table>	1	REV.	1	◇
			1	REV.					
			1	◇					
CHECK Jul.17,2008 K.Fukuda									
APPR. Jul.17,2008 H.Okayama	DIMENSION DIAGRAM								